

TriStar® VSTD

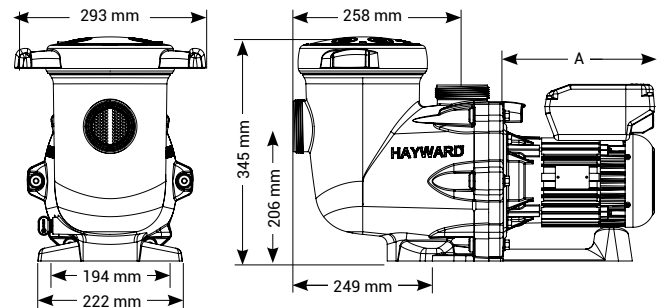


EXCELLENCE AND PERFORMANCE

- Smart Inverter + Permanent Magnet Motor + synchronized motor : electricity saving up to 85%*
- **Extremely quiet and reliable**
- **Optimised hydraulic design** for optimum efficiency
- **180° rotary box for convenient access** to the user interface
- **Union fittings provided**
- **Twist-Lock opening cover** for easy maintenance
- Recommended for pools **up to 120 m3 ****
- **Replaces a single-speed TriStar®** without modifying the installation

* Running at low speed.
Electricity savings of 65% are generally achieved.

** Running at low speed 24 hours

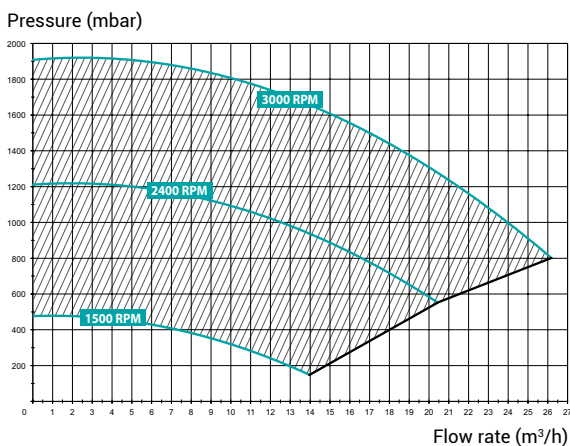


The intuitive control module displays relevant information such as real-time energy consumption. Improved control box, with the addition of five daily programs. "Skimming" function that allows the surface to be automatically skimmed every 1, 2 or 3 hours. **Timer Mode.**

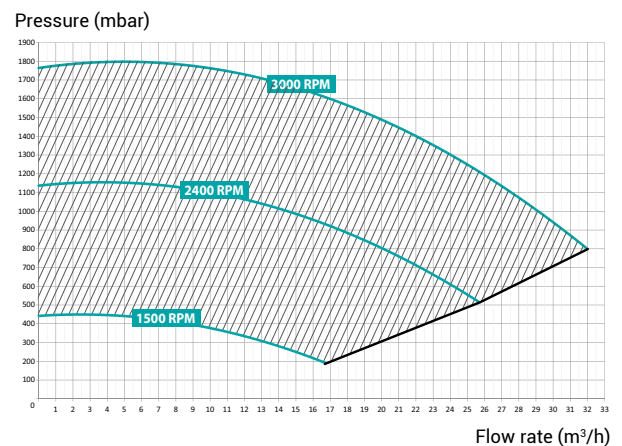
Technical Specifications

Max. water temp.	35°C
Mechanical seal	AISI 316, compatible with salt treatment (salt chlorinator)
Motor-drive specifications	Class F, IP55, 50 Hz, Brushless VFD
Housing/impeller/strainer/lid	PP+GF/Noryl® + GF/ABS/PC
Prefilter size	4.5 L

• 1.5 HP Curve



• 2 HP Curve



	Speed	Type	Dim. A	Weight	Fitting	Flow rate*	Input Power P1	Output Power P2	Amperage*	Item
TRISTAR® VSTD	600 - 3000 RPM (20 rpm)	1.5 HP	230 mm	17.5 kg	63 mm	@10 m: 24 m³/h @8 m: 26.3 m³/h	1240 W	1100 W	5.9 A	SP3216VSTD
	600 - 3000 RPM (20 rpm)	2 HP	250 mm	17.5 kg	63 mm	@10 m: 28.8 m³/h @8 m: 31 m³/h	1500 W	1400 W	7.8 A	SP3220VSTD

* at 3000 Rpm